

MA300

Metallic Casing Outdoor Access Control



MA300, one of the innovative biometric fingerprint readers for access control applications. Offering unparalleled performances by adopting an advanced ZK fingerprint algorithm for reliability, precision and excellent matching speed.

It is metallic casing and IP65 rated which enables it to be resistant from water, dust and other outside damages.

MA300 offers the flexibility to be installed standalone or with any third party panels that support 26-bit wiegand. User can be enrolled by the administrator card when the device works in standalone mode. TCP/IP and RS485 are available, so that the device can be connected easily and conveniently.



Rugged Structure and Extra Durability

- IP65 rated waterproof and dustproof structure



Metallic Casing

- Vandal-proof for outdoor installation



Fast and Accurate Fingerprint Algorithm

- 1 touch a-second user recognition
- Store 1,500 templates, 10,000 cards and 100,000 transactions



Easy Installation and Connectivity

- Wiegand input & output
- Network interface by TCP/IP or RS485



Full Access Control Features

- Anti-passback
- Access control interface for 3rd party electric lock, door sensor, exit button, alarm and doorbell



Easy operation and Management

- OLED, buzzer, optional integrated smart card reader and external
- USB keypad
- Fingerprint and RF card reader for multi-model authentication

Specifications

Fingerprint Capacity	1,500 templates
ID Card Capacity	10,000
Transaction Capacity	100,000
Hardware Platform	ZEM720
Sensor	ZK Optical Sensor
Algorithm Version	ZK Finger v10.0
Communication	RS485,TCP/IP,USB-host
Access Control Interfaces for	3rd party electric lock, door sensor, exit button, alarm
Wiegand Signal	Input & Output
Standard Access Control Function	RS485 Reader, Time Zone, Group, Multi-identification Duress mode, Anti-passback
Optional Functions	Mifare, external USB keypad
Display	N/A
Power Supply	12V DC
Operating Temperature	-10 °C- 60 °C
Operating Humidity	10% -90%
Protection Grade	IP65
Dimension(W×H×D)mm	73×148×34.5
Gross Weight	1.15kg

Optional Accessories



Exit Button



RS485 Reader



Electric Lock

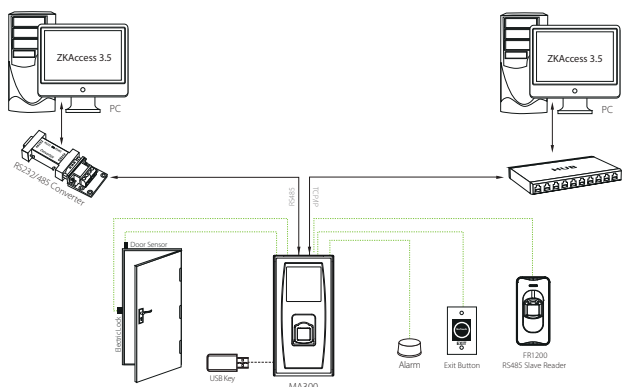


Alarm

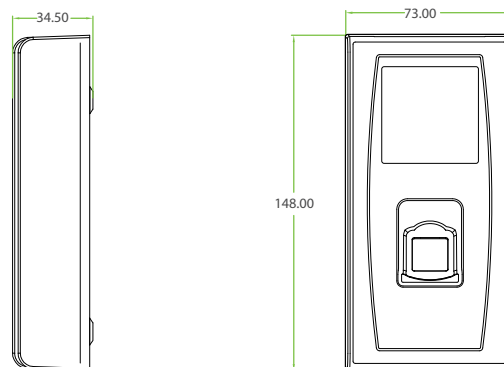


Sensor

Configuration



Dimensions (mm)



ZKTeco Inc.
www.zkteco.com
 E-mail: sales@zkteco.com

© Copyright 2016, ZKTeco Inc. ZKTeco Logo is a registered trademark of ZKTeco or a related company. All other product and company names mentioned are used for identification purposes only and may be the trademarks of their respective owners. All specifications are subject to change without notice. All rights reserved.

